



WanXiang Solar

SOLAR MODULES WXS175S



Specifications

Cell Type	Mono-Silicon solar Cells
Cell Size	125mmX125mm
No. of cells and connections	72(6X12)
Dimension of module(mm)	1582×810×50mm
Weight	16Kg

Electrical Characteristics

Model	WXS175S
Maximum power at STC(Pm)	175W
Open-circuit voltage(Voc)	43.60V
Short-circuit current(Isc)	5.50A
Voltage at Pmax(Vmp)	35.71V
Current at Pmax(Imp)	4.90A

(STC:Irradiance AM1.5, 1000W/m², 25°C)

Limits

Fuse rating	15A
Maximum system voltage	1000VDC
Operating temperature	-40~+85°C

Temperature and Coefficients

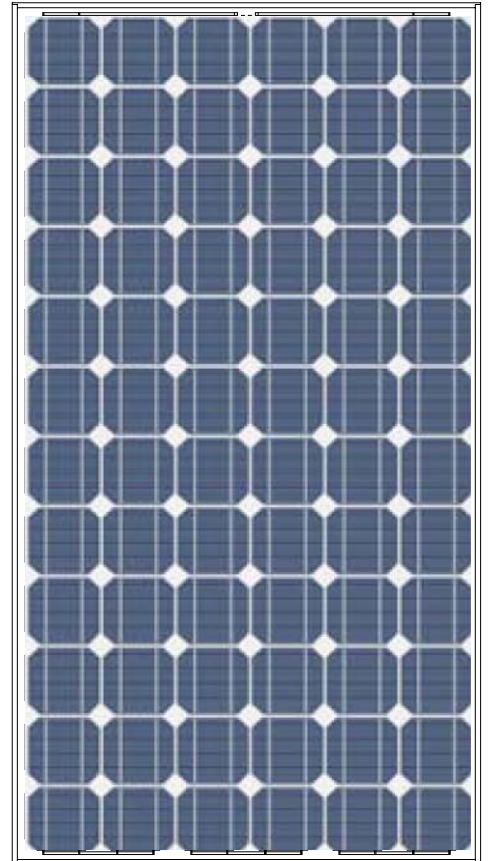
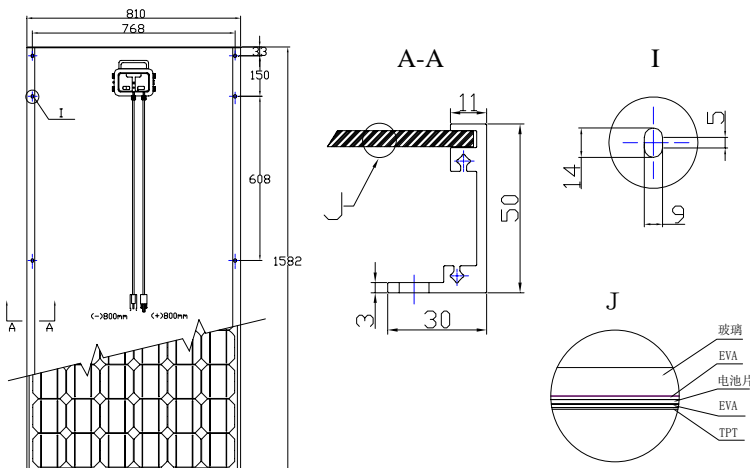
NOCT	48°C±2°C
Temp coefficient of Voc	-(160±10)mV/°C
Temp coefficient of Isc	(0.065±0.015)%/°C
Temp coefficient of power	-(0.5±0.05)%/°C

NOCT:Nominal Operation Cell Temperature

Output

Type of output terminal	Junction box
Cable	4mm ²
Cable lengths	800mm
Connector	Plug type

Mechanical Characteristics



Characteristics Curve

